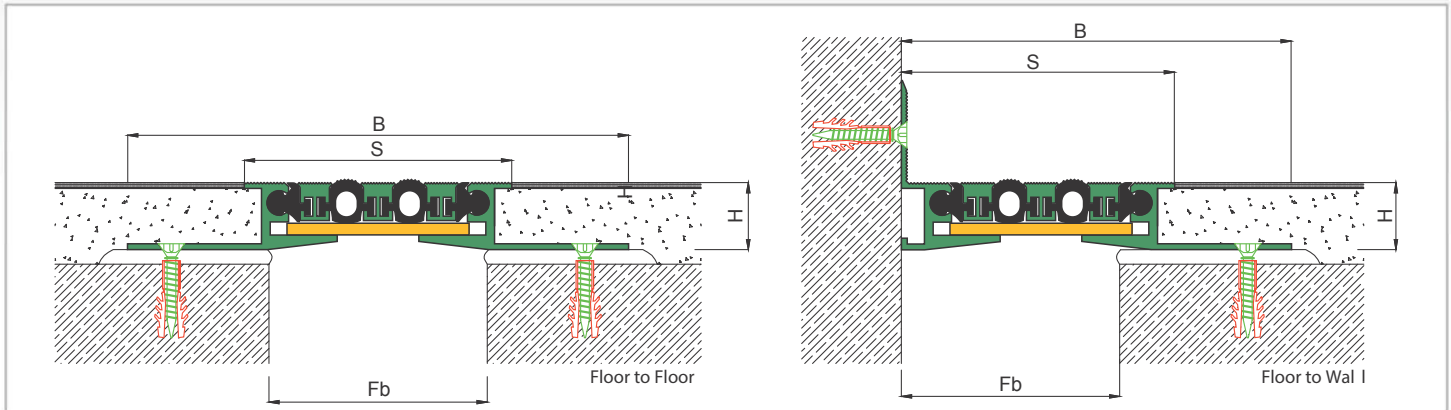
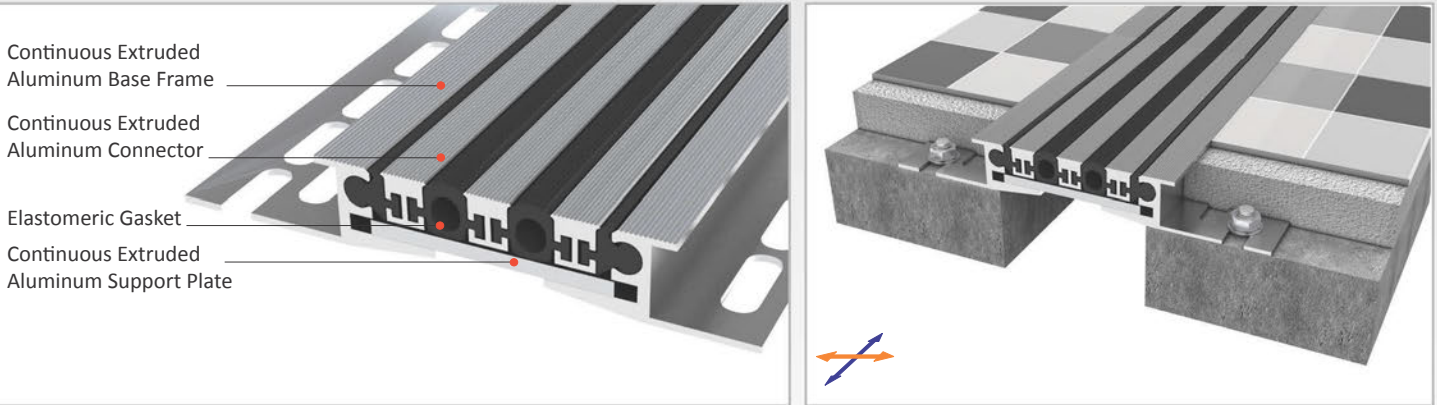


AS A226 flush mounted floor profiles are designed for pedestrians and can easily be applied to all types of floors. Adjustable interlocking profile and gasket configuration makes them available for gaps up to 200 mm and enables to meet horizontal & lateral movements. Profiles higher than 28 mm can be manufactured heavy duty class. If inquired, AS A226 is able to be applied with wall type AS A126 and this dual application brings in a decorative aspect. Profiles are delivered factory-assembled.

- Application Areas** : Indoor & Outdoor / Floor  
**Ideal for** : Shopping Malls, Airports, Residences, Hospitals, Hotels, Public & Commercial Buildings etc.  
**Material** : Mill Finish Aluminum (Anodizing optional), TPE Gasket  
**Aluminum Alloy** : 6063 AA-USA / EN AW 6063  
**Optional Supplies** : Fire Barrier, Waterproof EPDM membrane

**FLOOR**



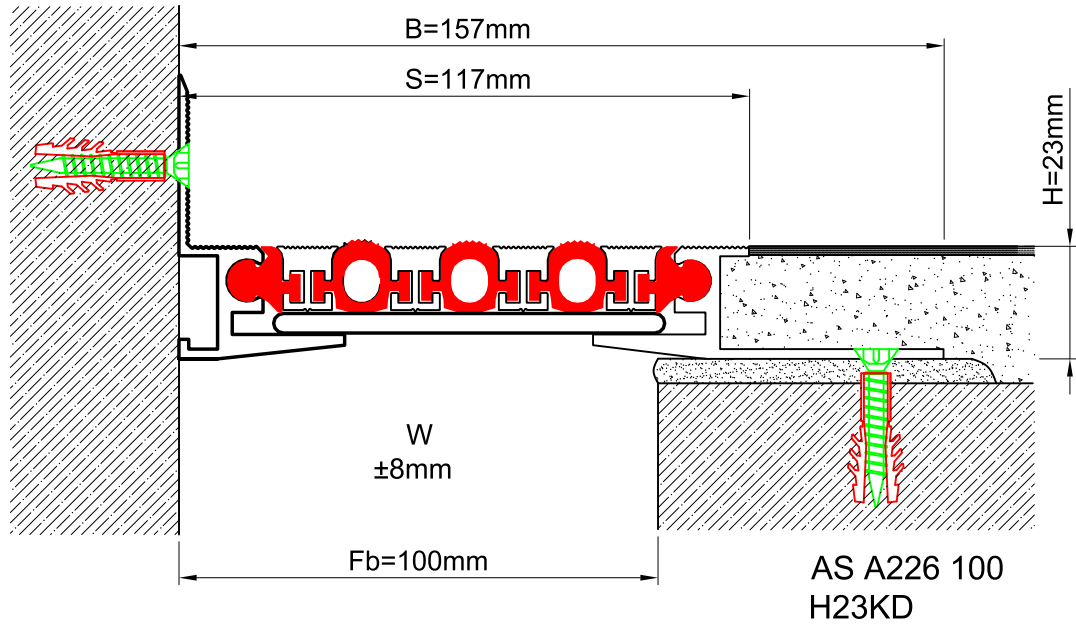
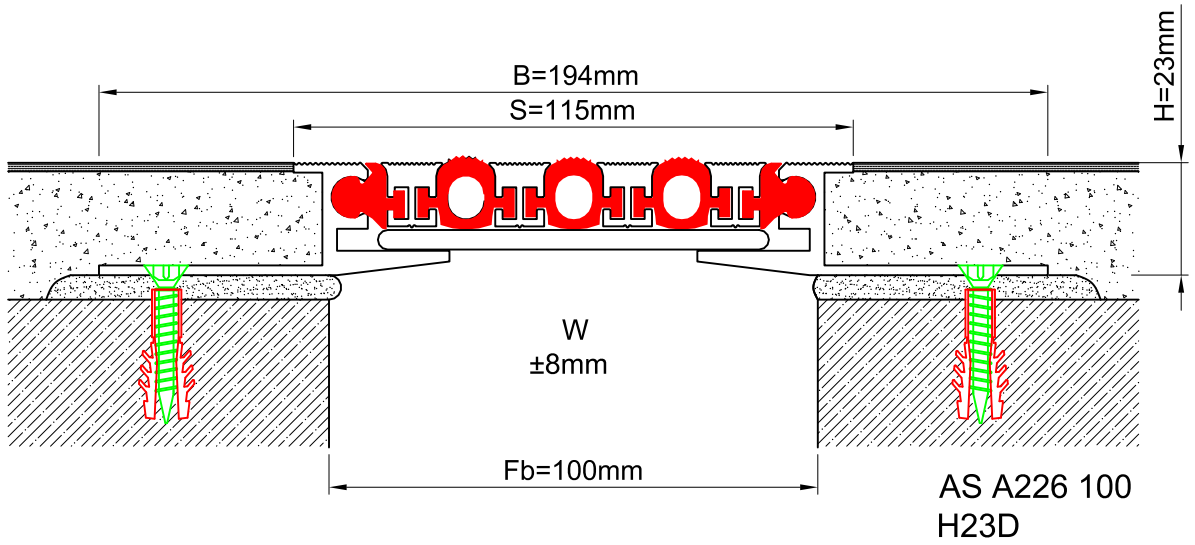
\* Visuals are representative and the profile configuration may differ depending on the characteristics requested.



LOCATION	MODEL	GAP (Fb) mm	HEIGHT (H) MM	OVERALL WIDTH (B) mm	VISIBLE WIDTH (S) mm	MOVEMENT (W) mm	LOAD CAPACITY	STANDARD LENGTH (mt)
Floor to Floor	AS A226-030	30	15	127	50	± 2		3
	AS A226-050	50	15	148	68	± 4		3
	AS A226-050	50	23	150	70	± 4		3
	AS A226-075	75	23	172	92	± 6		3
	AS A226-100	100	23 / 50	194	115	± 8		3
	AS A226-120	120	23 / 50	215	135	± 10		3
	AS A226-160	160	23 / 50	255	175	± 14		3
	AS A226-180	180	23 / 50	275	195	± 16		3
	AS A226-200	200	23 / 50	298	218	± 18		3

Note: Please ask for different sizes





Profil No Profile Number	AS A226 100	AS A226 100K
Fb (mm)	100	100
H (mm) yaklaşık approx.	23	23
W± (mm) yaklaşık approx.	±8	±8
Renk Color	Alüminyum: Natürel, Fitiller: Siyah, gri, diğer Aluminum: Natural, Inserts: Black, grey, others	
Malzeme Material	Alüminyum, TPE Termoplastik Elastomer Aluminum, TPE Thermoplastic Elastomer	
Standart Uzunluk (m) Standart Length (m)	3	
Yükleme Kapasitesi Load-bearing Capacity	